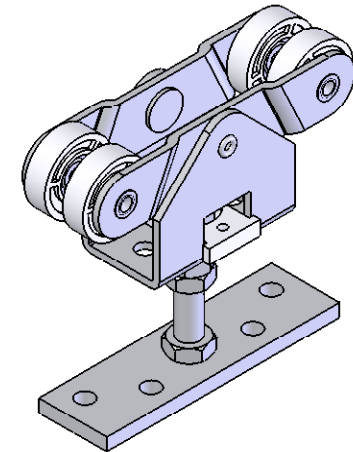
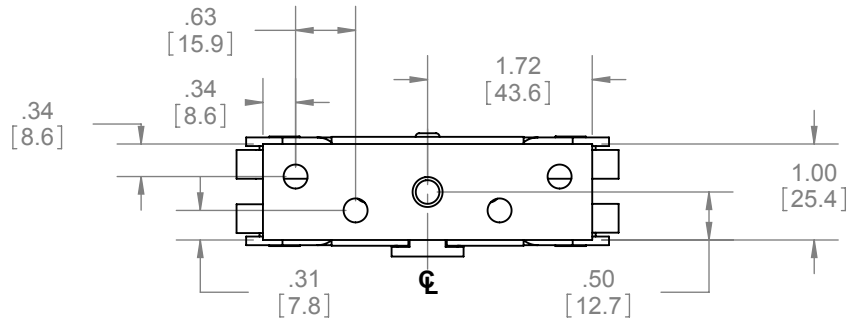
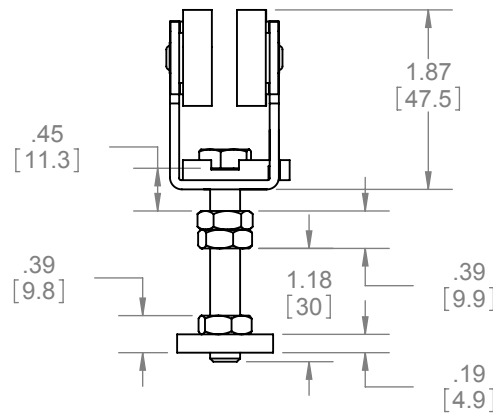
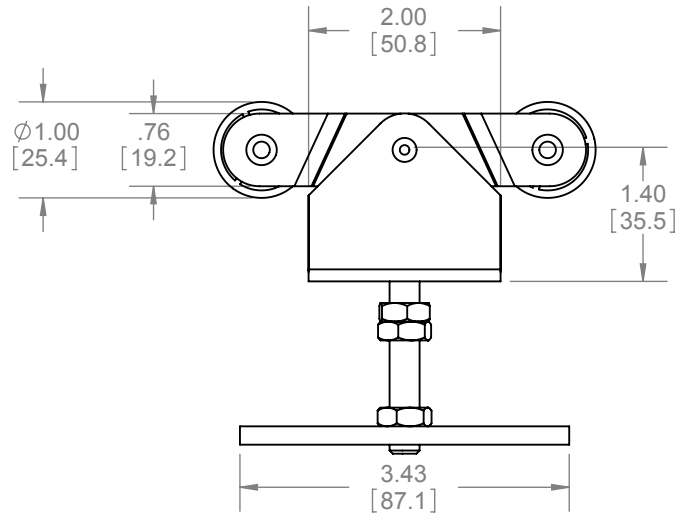
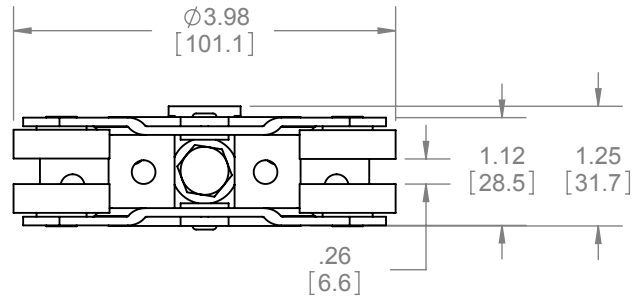


REVISIONS		
REV.	DESCRIPTION	DATE
01	NEW DRAWING FOR WEB	3/20/2008



NOTES:

- USE WITH 9101 TRACK, WITH DOORS WEIGHING UP TO 275LBS. (125kg)
- FOUR WHEEL HANGER IS SELF-ALIGNING TO ALLOW CONSISTENT CONTACT WITH TRACK

HARDWARE INCLUDED:

- 4PCS #12 x 1-1/4" CROSS PAN HEAD WOOD SCREW
- 1PCS 3/8" LOCK WASHER



PROPRIETARY & CONFIDENTIAL
 THE INFORMATION CONTAINED IN THIS DRAWING IS THE SOLE PROPERTY OF HAGER COMPANIES. ANY REPRODUCTION IN PART OR AS A WHOLE WITHOUT THE WRITTEN PERMISSION OF HAGER COMPANIES IS PROHIBITED.

HAGER RESERVES THE RIGHT TO MAKE DESIGN CHANGES WITHOUT NOTICE. CALL HAGER ENGINEERING AT 1-800-325-9995 FOR THE LATEST REVISION DATE OF TEMPLATE.

MATERIAL	STEEL W/ NYLON B.B. WHEELS
FINISH	ZINC PLATED
DO NOT SCALE DRAWING	

DRAWN	NJANSEN	1/10/2008
ENG. APPR.	M MCRAE	3/20/2008
Q.A.		
TOLERANCES:		
FRACTIONAL: ±0.015"		
ANGULAR: MACH: ±1° BEND: ±1°		
TWO PLACE DECIMAL: ±0.01"		
THREE PLACE DECIMAL: ±0.004"		

9105		REV.
4-WHEEL HANGER WITH ADJUSTING BOLT AND TOP PLATE		01
SIZE	DWG. NO.	
A	S-SD00043	
SCALE: 1:2	WEIGHT: 0.60	SHEET 1 OF 1